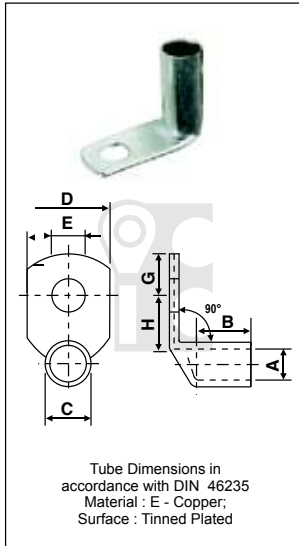


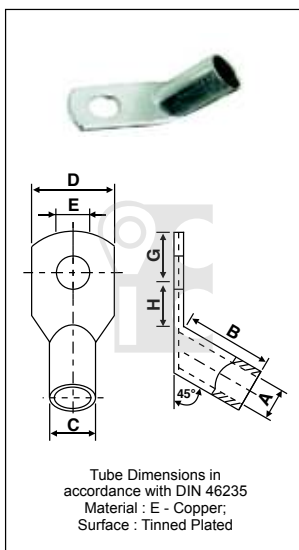


**COPPER TUBULAR 90°ANGLE CABLE LUGS (DIN 46235 )**



CABLE SIZE mm <sup>2</sup>	STUD HOLE E mm	DIMENSIONS mm							PRODUCT CODE
		A	B	D	E	C	G	H	
95	M 10	13.5	35	28	10.5	19	12	17	EDAT-9095/10
	M 12	13.5	35	28	13	19	13	18	EDAT-9095/12
	M 14	13.5	35	28	15	19	14.5	20	EDAT-9095/14
	M 16	13.5	35	32	17	19	16	22	EDAT-9095/16
120	M 10	15.5	35	30	10.5	21	15	17	EDAT-90120/10
	M 12	15.5	35	30	13	21	16	18	EDAT-90120/12
	M 14	15.5	35	30	15	21	18	20	EDAT-90120/14
	M 16	15.5	35	30	17	21	19	22	EDAT-90120/16
	M 20	15.5	35	32	21	21	21	24	EDAT-90120/20
150	M 10	17	35	34	10.5	23.5	15	17	EDAT-90150/10
	M 12	17	35	34	13	23.5	16	18	EDAT-90150/12
	M 14	17	35	34	15	23.5	19	20	EDAT-90150-14
	M 16	17	35	34	17	23.5	19	22	EDAT-90150/16
	M 20	17	35	40	21	23.5	21	24	EDAT-90150/20
185	M 10	19	40	36	10.5	25.5	15	22	EDAT-90185/10
	M 12	19	40	36	13	25.5	16	22	EDAT-90185/12
	M 14	19	40	36	15	25.5	19	22	EDAT-90185/14
	M 16	19	40	36	17	25.5	19	22	EDAT-90185/16
	M 20	19	40	36	21	25.5	21	24	EDAT-90185/20
240	M 12	21.5	40	42	13	29	16	22	EDAT-90240/12
	M 14	21.5	40	42	15	29	19	22	EDAT-90240/14
	M 16	21.5	40	42	17	29	19	22	EDAT-90240/16
	M 20	21.5	40	45	21	29	21	24	EDAT-90240/20

**COPPER TUBULAR 45°ANGLE CABLE LUGS (DIN 46235 )**



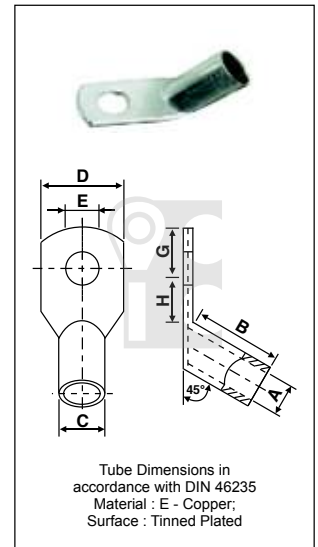
CABLE SIZE mm <sup>2</sup>	STUD HOLE E mm	DIMENSIONS mm							PRODUCT CODE
		A	B	D	E	C	G	H	
6	M 5	3.8	10	8.5	5.5	5.5	6.5	9	EDAT-4506/5
	M 6	3.8	10	8.5	6.5	5.5	7.5	10	EDAT-4506/6
10	M 5	4.5	10	9	5.5	6.20	7	10	EDAT-4510/5
	M 6	4.5	10	9	6.5	6.20	7.5	10	EDAT-4510/6
	M 8	4.5	10	13	8.5	6.20	10	13	EDAT-4510/8
16	M 6	5.5	20	13	6.5	8.5	7.5	11	EDAT-4516/6
	M 8	5.5	20	13	8.5	8.5	10	13	EDAT-4516/8
	M 10	5.5	20	17	10.5	8.5	12	15	EDAT-4516/10
	M 12	5.5	20	18	13	8.5	13	18	EDAT-4516/12
25	M 6	7	20	14	6.5	10	7.5	11	EDAT-4525/6
	M 8	7	20	16	8.5	10	10	13	EDAT-4525/8
	M 10	7	20	17	10.5	10	12	15	EDAT-4525/10
	M 12	7	20	19	13	10	13	18	EDAT-4525/12
35	M 8	8.2	20	17	8.5	12.5	10	13	EDAT-4535/8
	M 10	8.2	20	19	10.5	12.5	12	15	EDAT-4535/10
	M 12	8.2	20	21	13	12.5	13	18	EDAT-4535/12
	M 14	8.2	20	21	15	12.5	14.5	20	EDAT-4535/14
50	M 8	10	28	20	8.5	14.5	10	13	EDAT-4550/8
	M 10	10	28	22	10.5	14.5	12	16	EDAT-4550/10
	M 12	10	28	24	13	14.5	13	18	EDAT-4550/12
	M 14	10	28	24	15	14.5	14.5	20	EDAT-4550/14
	M 16	10	28	28	17	14.5	16	22	EDAT-4550/16

EDAT Continued....



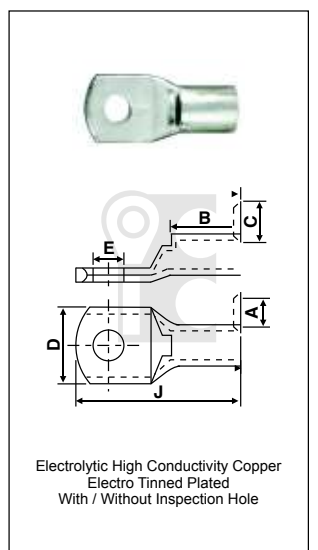
**COPPER TUBULAR 45° ANGLE CABLE LUGS ( DIN 46235 )**

CABLE SIZE mm <sup>2</sup>	STUD HOLE E ø mm	DIMENSIONS mm							PRODUCT CODE
		A	B	D	E	C	G	H	
70	M 8	11.5	28	24	8.5	16.5	10	14	EDAT-45-70/8
	M 10	11.5	28	24	10.5	16.5	12	16	EDAT-45-70/10
	M 12	11.5	28	24	13	16.5	13	18	EDAT-45-70/12
	M 14	11.5	28	24	15	16.5	14.5	20	EDAT-45-70/14
	M 16	11.5	28	30	17	16.5	16	22	EDAT-45-70/16
95	M 10	13.5	35	28	10.5	19	12	17	EDAT-45-95/10
	M 12	13.5	35	28	13	19	13	18	EDAT-45-95/12
	M 14	13.5	35	28	15	19	14.5	20	EDAT-45-95/14
	M 16	13.5	35	32	17	19	16	22	EDAT-45-95/16
120	M 10	15.5	35	30	10.5	21	15	17	EDAT-45-120/10
	M 12	15.5	35	30	13	21	16	18	EDAT-45-120/12
	M 14	15.5	35	30	15	21	18	20	EDAT-45-120/14
	M 16	15.5	35	30	17	21	19	22	EDAT-45-120/16
	M 20	15.5	35	32	21	21	21	24	EDAT-45-120/20
150	M 10	17	35	34	10.5	23.5	15	17	EDAT-45-150/10
	M 12	17	35	34	13	23.5	16	18	EDAT-45-150/12
	M 14	17	35	34	15	23.5	19	20	EDAT-45-150/14
	M 16	17	35	34	17	23.5	19	22	EDAT-45-150/16
	M 20	17	35	40	21	23.5	21	24	EDAT-45-150/20
185	M 10	19	40	36	10.5	25.5	15	22	EDAT-45-185/10
	M 12	19	40	36	13	25.5	16	22	EDAT-45-185/12
	M 14	19	40	36	15	25.5	19	22	EDAT-45-185/14
	M 16	19	40	36	17	25.5	19	22	EDAT-45-185/16
	M 20	19	40	36	21	25.5	21	24	EDAT-45-185/20
240	M 12	21.5	40	42	13	29	16	22	EDAT-45-240/12
	M 14	21.5	40	42	15	29	19	22	EDAT-45-240/14
	M 16	21.5	40	42	17	29	19	22	EDAT-45-240/16
	M 20	21.5	40	45	21	29	21	24	EDAT-45-240/20



**COPPER TUBULAR CABLE LUGS WITH INSPECTION WINDOW ( BS 4579 )**

CABLE SIZE mm <sup>2</sup>	STUD HOLE E ø mm	DIMENSIONS mm					PRODUCT CODE
		A	C	B	D	J	
1.5	M 4	1.8	3.7	5.5	8	17	ECBT-1.5/4
	M 5	1.8	3.7	5.5	8	17	ECBT-1.5/5
	M 6	1.8	3.7	5.5	10	19	ECBT-1.5/6
2.5	M 4	2.4	4.0	8	8	21.5	ECBT-2.5/4
	M 5	2.4	4.0	8	8	21.5	ECBT-2.5/5
	M 6	2.4	4.0	8	10	24	ECBT-2.5/6
4	M 5	3.1	4.8	8	10	21	ECBT-4/5
	M 6	3.1	4.8	8	10	21	ECBT-4/6
	M 8	3.1	4.8	8	12	26.5	ECBT-4/8
6	M 5	3.8	5.5	10	10	23	ECBT-6/5
	M 6	3.8	5.5	10	10	23	ECBT-6/6
	M 8	3.8	5.5	10	12	27	ECBT-6/8
	M 10	3.8	5.5	10	16.8	32	ECBT-6/10
10	M 5	4.5	6.2	10	12	25.5	ECBT-10/5
	M 6	4.5	6.2	10	12	25.5	ECBT-10/6
	M 8	4.5	6.2	10	12	27.6	ECBT-10/8

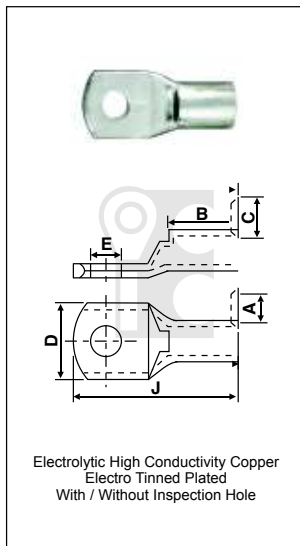


ECBT Continued...



## COPPER TUBULAR CABLE LUGS WITH INSPECTION WINDOW ( BS 4579 )

CABLE SIZE mm <sup>2</sup>	STUD HOLE E mm	DIMENSIONS mm					PRODUCT CODE
		A	C	B	D	J	
16	M 5	5.4	7.1	13	12	31	ECBT-16 /5
	M 6	5.4	7.1	13	12	31	ECBT-16/6
	M 8	5.4	7.1	13	12	31	ECBT-16/8
25	M 6	6.8	8.8	14	13	33	ECBT-25/6
	M 8	6.8	8.8	14	16	33	ECBT-25/8
	M 10	6.8	8.8	14	16	36.5	ECBT-25/10
	M 12	6.8	8.8	14	18	40	ECBT-25/12
35	M 6	8.2	10.6	14	15	38	ECBT-35/6
	M 8	8.2	10.6	14	15	38	ECBT-35/8
	M 10	8.2	10.6	14	15	40	ECBT-35/10
	M 12	8.2	10.6	14	20	42	ECBT-35/12
50	M 6	9.5	12.4	18	18	45	ECBT-50/6
	M 8	9.5	12.4	18	18	45	ECBT-50/8
	M 10	9.5	12.4	18	18	45	ECBT-50/10
	M 12	9.5	12.4	18	20	45	ECBT-50/12
70	M 6	11.3	14.6	20	21	52	ECBT-70/6
	M 8	11.3	14.6	20	21	52	ECBT-70/8
	M 10	11.3	14.6	20	21	52	ECBT-70/10
	M 12	11.3	14.6	20	21	52	ECBT-70/12
95	M 8	13.5	17.4	22	25	57	ECBT-95/8
	M 10	13.5	17.4	22	25	57	ECBT-95/10
	M 12	13.5	17.4	22	25	57	ECBT-95/12
	M 14	13.5	17.4	22	28	60	ECBT-95/14
	M 16	13.5	17.4	22	28	60	ECBT-95/16
120	M 8	15.0	19.4	24	28	63	ECBT-120/8
	M 10	15.0	19.4	24	28	63	ECBT-120/10
	M 12	15.0	19.4	24	28	63	ECBT-120/12
	M 14	15.0	19.4	24	28	63	ECBT-120/14
	M 16	15.0	19.4	24	28	63	ECBT-120/16
150	M 8	16.5	21.2	29	30	71	ECBT-150/8
	M 10	16.5	21.2	29	30	71	ECBT-150/10
	M 12	16.5	21.2	29	30	71	ECBT-150/12
	M 14	16.5	21.2	29	30	71	ECBT -150/14
	M 16	16.5	21.2	29	30	71	ECBT-150/16
185	M 10	18.5	23.5	34	34	79	ECBT-185/10
	M 12	18.5	23.5	34	34	79	ECBT-185/12
	M 14	18.5	23.5	34	34	79	ECBT-185/14
	M 16	18.5	23.5	34	34	79	ECBT-185/16
240	M 10	21.0	26.5	39	38	93	ECBT-240/10
	M 12	21.0	26.5	39	38	93	ECBT-240/12
	M 14	21.0	26.5	39	38	93	ECBT-240/14
	M 16	21.0	26.5	39	38	93	ECBT-240/16
	M 20	21.0	26.5	39	38	93	ECBT-240/20
300	M 12	23.5	30.0	44	43	101	ECBT-300/12
	M 14	23.5	30.0	44	43	101	ECBT-300/14
	M 16	23.5	30.0	44	43	101	ECBT-300/16
	M 20	23.5	30.0	44	43	101	ECBT-300/20

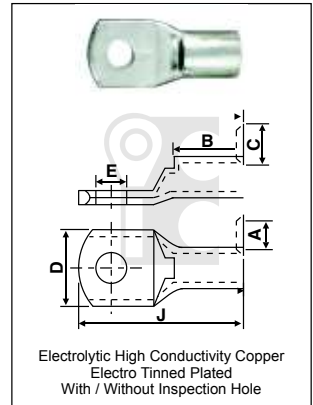


ECBT Continued....



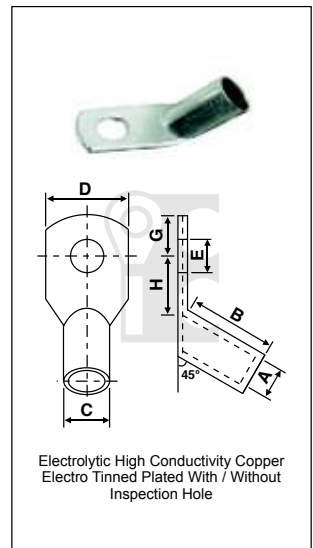
**COPPER TUBULAR CABLE LUGS WITH INSPECTION WINDOW (BS 4579)**

CABLE SIZE mm <sup>2</sup>	STUD HOLE E ø mm	DIMENSIONS mm					PRODUCT CODE
		A	C	B	D	J	
400	M 12	26.8	34.8	47	50.1	116	ECBT-400/12
	M 14	26.8	34.8	47	50.1	116	ECBT-400/14
	M 16	26.8	34.8	47	50.1	116	ECBT-400/16
	M 20	26.8	34.8	47	50.1	116	ECBT-400/20
500	M 20	30.0	39.0	52	56.0	126	ECBT-500/20
630	M 16	35.0	45.0	59	65.0	146	ECBT-630/16
	M 20	35.0	45.0	59	65.0	146	ECBT-630/20
800	BL	39	50.6	78	72.9	171	ECBT-800/BL
1000	BL	43	56.2	90	80.8	202	ECBT-1000/BL



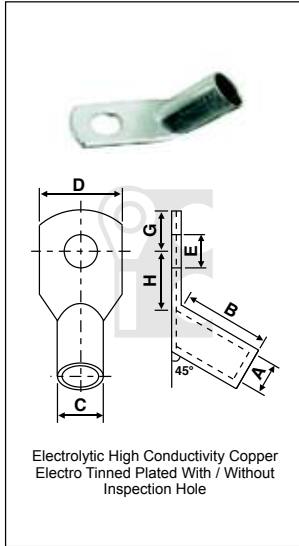
**COPPER TUBULAR CABLE LUGS (45° Angle) (BS 4579)**

CABLE SIZE mm <sup>2</sup>	STUD HOLE E ø mm	DIMENSIONS mm							PRODUCT CODE
		A	B	D	E	C	G	H	
6	M 4	3.8	9	9.5	4.2	5.5	4	7	ECBT-45-6/4
	M 5	3.8	9	9.5	5.2	5.5	4	7	ECBT-45-6/5
	M 6	3.8	9	10	6.2	5.5	5	9	ECBT-45-6/6
	M 8	3.8	9	12	8.4	5.5	7	11	ECBT-45-6/8
10	M 5	4.5	10	12	5.2	6.2	6	10	ECBT-45-10/5
	M 6	4.5	10	12	6.5	6.2	6	10	ECBT-45-10/6
	M 8	4.5	10	12	8.4	6.2	7	12	ECBT-45-10/8
16	M 5	5.4	13	12	5.2	7.1	7	10	ECBT-45-16/5
	M 6	5.4	13	12	6.5	7.1	7	10	ECBT-45-16/6
	M 8	5.4	13	12	8.4	7.1	7	12	ECBT-45-16/8
	M 10	5.5	13	16	10.5	7.9	10	13	ECBT-45-16/10
25	M 5	6.8	14	13	5.2	8.8	7	10	ECBT-45-25/5
	M 6	6.8	14	13	6.5	8.8	7	10	ECBT-45-25/6
	M 8	6.8	14	13	8.4	8.8	7	12	ECBT-45-25/8
	M 10	6.8	14	16	10.5	8.8	10	13	ECBT-45-25/10
35	M 6	8.2	16	15	6.5	10.6	9	12	ECBT-45-35/6
	M 8	8.2	16	15	8.4	10.6	9	12	ECBT-45-35/8
	M 10	8.2	16	18	10.5	10.6	10	13	ECBT-45-35/10
	M 12	8.2	16	21	13	10.6	12	18	ECBT-45-35/12
50	M 6	9.5	18	18	6.5	12.4	10	13	ECBT-45-50/6
	M 8	9.5	18	18	8.4	12.4	10	13	ECBT-45-50/8
	M 10	9.5	18	18	10.5	12.4	10	13	ECBT-45-50/10
	M 12	9.5	18	23	13	12.4	12	18	ECBT-45-50/12
70	M 6	11.3	20	21	6.5	14.6	10	13	ECBT-45-70/6
	M 8	11.3	20	21	8.4	14.6	10	13	ECBT-45-70/8
	M 10	11.3	20	21	10.5	14.6	10	17	ECBT-45-70/10
	M 12	11.3	20	21	13	14.6	12	17	ECBT-45-70/12
95	M 8	13.5	24	25	8.4	17.4	12	17	ECBT-45-95/8
	M 10	13.5	24	25	10.5	17.4	12	17	ECBT-45-95/10
	M 12	13.5	24	25	13	17.4	12	17	ECBT-45-95/12
120	M 8	15	25	28	8.4	19.4	14	19	ECBT-45-120/8
	M 10	15	25	28	10.5	19.4	14	19	ECBT-45-120/10
	M 12	15	25	28	13	19.4	14	19	ECBT-45-120/12



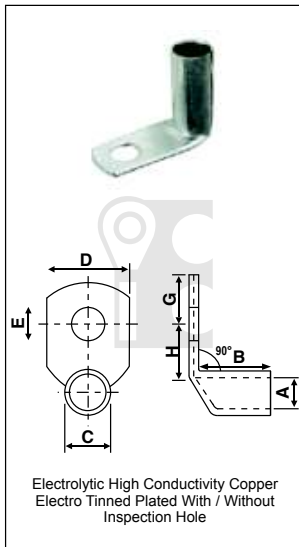


**COPPER TUBULAR CABLE LUGS (45° Angle) (BS 4579)**



CABLE SIZE mm <sup>2</sup>	STUD HOLE E ø mm	DIMENSIONS mm							PRODUCT CODE
		A	B	D	E	C	G	H	
150	M 8	16.5	29	30	8.4	21.2	14	19	ECBT-45-150/8
	M 10	16.5	29	30	10.5	21.2	14	19	ECBT-45-150/10
	M 12	16.5	29	30	13	21.2	14	19	ECBT-45-150/12
185	M 10	18.5	30	34	10.5	23.5	17	22	ECBT-45-185/10
	M 12	18.5	30	34	13	23.5	17	22	ECBT-45-185/12
	M 14	18.5	30	34	15	23.5	17	22	ECBT-45-185/14
	M 16	18.5	30	34	17	23.5	17	22	ECBT-45-185/16
240	M 10	21	35	38	10.5	26.5	20	25	ECBT-45-240/10
	M 12	21	35	38	13	26.5	20	25	ECBT-45-240/12
	M 14	21	35	38	15	26.5	20	25	ECBT-45-240/14
	M 16	21	35	38	17	26.5	20	25	ECBT-45-240/16
300	M 12	23.5	42	43	13	30	22	27	ECBT-45-300/12
	M 14	23.5	42	43	15	30	22	27	ECBT-45-300/14
	M 16	23.5	42	43	17	30	22	27	ECBT-45-300/16
400	M 12	26.8	44	50	13	34.8	24	29	ECBT-45-400/12
	M 14	26.8	44	50	15	34.8	24	29	ECBT-45-400/14
	M 16	26.8	44	50	17	34.8	24	29	ECBT-45-400/16
	M 20	26.8	44	50	21	34.8	24	29	ECBT-45-400/20
	BL	26.8	44	50	-	34.8	-	-	ECBT-45-400-BL

**COPPER TUBULAR CABLE LUGS (90° Angle) (BS 4579)**



CABLE SIZE mm <sup>2</sup>	STUD HOLE E ø mm	DIMENSIONS mm							PRODUCT CODE
		A	B	D	E	C	G	H	
6	M 4	3.8	9	9.5	4.2	5.5	4	7	ECBT-90-6/4
	M 5	3.8	9	9.5	5.2	5.5	4	7	ECBT-90-6/5
	M 6	3.8	9	10	6.2	5.5	5	9	ECBT-90-6/6
	M 8	3.8	9	12	8.4	5.5	7	11	ECBT-90-6/8
	M 10	3.5	9	16	10.5	6.5	10	13	ECBT-90-6/10
	M 12	3.5	9	18	13	6.5	12	17	ECBT-90-6/12
10	M 5	4.5	10	12	5.2	6.2	6	10	ECBT-90-10/5
	M 6	4.5	10	12	6.5	6.2	6	10	ECBT-90-10/6
	M 8	4.5	10	12	8.4	6.2	7	12	ECBT-90-10/8
	M 10	4.7	10	16	10.5	7.1	10	13	ECBT-90-10/10
	M 12	4.7	10	18	13	7.1	12	18	ECBT-90-10/12
16	M 5	5.4	13	12	5.2	7.1	7	10	ECBT-90-16/5
	M 6	5.4	13	12	6.5	7.1	7	10	ECBT-90-16/6
	M 8	5.4	13	12	8.4	7.1	7	12	ECBT-90-16/8
	M 10	5.4	13	16	10.5	7.6	10	13	ECBT-90-16/10
	M 12	5.4	13	18	13	7.6	12	18	ECBT-90-16/12
25	M 5	6.8	14	13	5.2	8.8	7	10	ECBT-90-25/5
	M 6	6.8	14	13	6.5	8.8	7	10	ECBT-90-25/6
	M 8	6.8	14	13	8.4	8.8	7	12	ECBT-90-25/8
	M 10	6.8	14	16	10.5	8.8	10	13	ECBT-90-25/10
	M 12	6.8	14	18	13	8.8	12	18	ECBT-90-25/12
35	M 6	8.2	16	15	6.5	10.6	9	12	ECBT-90-35/6
	M 8	8.2	16	15	8.4	10.6	9	12	ECBT-90-35/8
	M 10	8.2	16	18	10.5	10.6	10	13	ECBT-90-35/10



**COPPER TUBULAR CABLE LUGS (90° Angle) (BS 4579)**

CABLE SIZE mm <sup>2</sup>	STUD HOLE E ø mm	DIMENSIONS mm							PRODUCT CODE
		A	B	D	E	C	G	H	
35	M 12	8.2	16	21	13	10.6	12	18	ECBT-90-35/12
	M 14	8.2	16	21	14.5	10.6	14	20	ECBT-90-35/14
50	M 6	9.5	18	18	6.5	12.4	10	13	ECBT-90-50/6
	M 8	9.5	18	18	8.4	12.4	10	13	ECBT-90-50/8
	M 10	9.5	18	18	10.5	12.4	10	13	ECBT-90-50/10
	M 12	9.5	18	23	13	12.4	12	18	ECBT-90-50/12
	M 14	9.5	18	23	14.5	12.4	14	20	ECBT-90-50/14
70	M 6	11.2	11.3	21	6.5	14.7	10	13	ECBT-90-70/6
	M 8	11.2	11.3	21	8.4	14.7	10	13	ECBT-90-70/8
	M 10	11.2	11.3	21	10.5	14.7	10	17	ECBT-90-70/10
	M 12	11.2	11.3	21	13	14.7	12	17	ECBT-90-70/12
	M 14	11.2	11.3	23	14.5	14.7	14.6	20	ECBT-90-70/14
	M 16	11.2	11.3	28	17	14.7	16	21	ECBT-90-70/16
95	M 8	13.5	24	25	8.4	17.4	12	17	ECBT-90-95/8
	M 10	13.5	24	25	10.5	17.4	12	17	ECBT-90-95/10
	M 12	13.5	24	25	13	17.4	12	17	ECBT-90-95/12
	M 14	13.5	24	26	14.5	17.4	14	20	ECBT-90-95/14
	M 16	13.5	24	28	17	17.4	16	21	ECBT-90-95/16
120	M 8	15	25	28	8.4	19.4	14	19	ECBT-90-120/8
	M 10	15	25	28	10.5	19.4	14	19	ECBT-90-120/10
	M 12	15	25	28	13	19.4	14	19	ECBT-90-120/12
	M 14	15	25	28	14.5	19.4	16	21	ECBT-90-120/14
	M 16	15	25	28	17	19.4	16	21	ECBT-90-120/16
150	M 20	15	25	30	21	19.4	20	27	ECBT-90-120/20
	M 8	16.5	29	30	8.4	21.2	14	19	ECBT-90-150/8
	M 10	16.5	29	30	10.5	21.2	14	19	ECBT-90-150/10
	M 12	16.5	29	30	13	21.2	14	19	ECBT-90-150/12
	M 14	16.5	29	30	14.5	21.2	14	19	ECBT-90-150/14
	M 16	16.5	29	30	17	21.2	16	21	ECBT-90-150/16
185	M 20	16.5	29	34	21	21.2	20	27	ECBT-90-150/20
	M 10	18.5	30	34	10.5	23.5	17	22	ECBT-90-185/10
	M 12	18.5	30	34	13	23.5	17	22	ECBT-90-185/12
	M 14	18.5	30	34	14.5	23.5	17	22	ECBT-90-185/14
	M 16	18.5	30	34	17	23.5	17	22	ECBT-90-185/16
240	M 20	18.5	30	34	21	23.5	20	27	ECBT-90-185/20
	M 10	21	35	38	10.5	26.5	20	25	ECBT-90-240/10
	M 12	21	35	38	13	26.5	20	25	ECBT-90-240/12
	M 14	21	35	38	14.5	26.5	20	25	ECBT-90-240/14
	M 16	21	35	38	17	26.5	20	25	ECBT-90-240/16
300	M 20	21	35	38	21	26.5	20	27	ECBT-90-240/20
	M 12	23.5	42	43	13	30.0	22	27	ECBT-90-300/12
	M 14	23.5	42	43	14.5	30.0	22	27	ECBT-90-300/14
	M 16	23.5	42	43	17	30.0	22	27	ECBT-90-300/16
400	M 20	23.5	42	43	21	30.0	22	27	ECBT-90-300/20
	M 12	26.8	44	50	13	34.8	24	29	ECBT-90-400/12
	M 14	26.8	44	50	14.5	34.8	24	29	ECBT-90-400/14
	M 16	26.8	44	50	17	34.8	24	29	ECBT-90-400/16
400	M 20	26.8	44	50	21	34.8	24	29	ECBT-90-400/20
	BL	26.8	44	50	-	34.8	-	-	ECBT-90-400/BL

